

Standard Preparation 1200 mm Cupboard Sink with 2 Bowls

ITEM # _____

MODEL # _____

NAME # _____

SIS # _____

AIA # _____

**132820 (MLA1225PN)**Cupboard sink with 2 bowls
500x500mm and 2 sliding
doors, 1200mm

Short Form Specification

Item No. _____

Made entirely from stainless steel. Inner welded frame in stainless steel. Unique connection of panels to inner frame. The 50mm high worktop in 304 AISI stainless steel, 1mm in thickness, incorporates a layer of sound deadening material and has upturned edges. Upstand (h=100mm) with 8mm rounded edge. Sound-deadened sliding doors. Base panel in 304 AISI stainless steel and height-adjustable intermediate shelf. Sink bowls in 304 AISI stainless steel with overflow pipe and drain hole. Mounted on feet, adjustable in height.

Main Features

- Sturdiness, stability and reliability of table accurately tested.

Construction

- Inner welded frame in stainless steel to guarantee superior strength and stability.
- Easy access to the cupboard interior on all lengths guaranteed by the use of only 2 doors.
- Reinforced side and base panel in 304 AISI stainless steel.
- 304 AISI stainless steel feet, 200 mm high and 54 mm in diameter, adjustable by -50/+30 mm.
- Sturdy sound-deadened sliding doors on tracks located flush to the front of the frame.
- 50 mm worktop in 304 AISI stainless steel, 10/10 in thickness with overflow rim along the top.
- Wide range of taps are available to suit every need.
- 100 mm upstand with 10 mm radiused corner and 13 mm deep, designed to be used against a wall.

Optional Accessories

- Wheel kit for cupboards, 4 wheels (2 with brakes), D=1000 mm PNC 855299
- Elbow operated mixer tap with spout, 3/4" single hole PNC 855322
- Elbow operated mixer tap short spout, 3/4" single hole PNC 855323
- Foot operated Mixer tap with spout & with hot&cold pedals, 3/4" PNC 855328
- Elbow operated mixer tap with spout, 3/4" single hole PNC 855374
- Elbow operated mixer tap with short spout, 3/4" single hole PNC 855375
- Single hole deck mounted mixing temperature monoblock faucet PNC 855382
- Single hole deck mounted extra robust pot filling mixing temperature faucet PNC 855383
- Single hole deck mounted mixing temperature faucet with short spout PNC 855384
- Single hole deck mounted mixing temperature pre-rinse unit PNC 855385
- Single hole deck mounted elbow operated mixing temperature faucet with pre-rinse unit PNC 855386
- Single hole deck mounted riser add-on mixing temperature faucet with pre-rinse unit PNC 855387

APPROVAL: _____

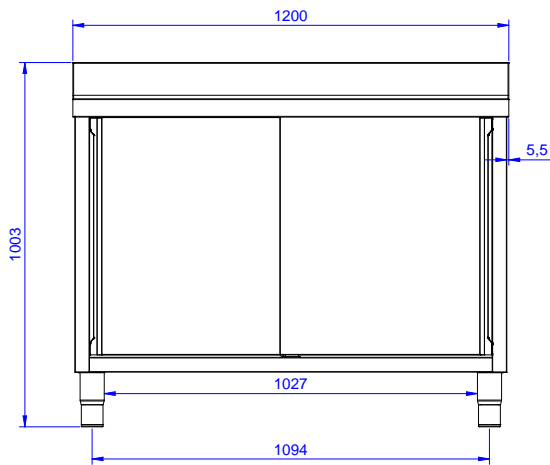
- Single hole deck mounted elbow operated mixing temperature faucet with short pre-rinse unit PNC 855388
- Single hole deck mounted riser add-on mixing temperature faucet with pre-rinse unit PNC 855389
- Single hole deck mounted mixing temperature faucet with pre-rinse unit PNC 855390
- Single plastic drain syphon 2" for sinks PNC 895313

Standard Preparation 1200 mm Cupboard Sink with 2 Bowls

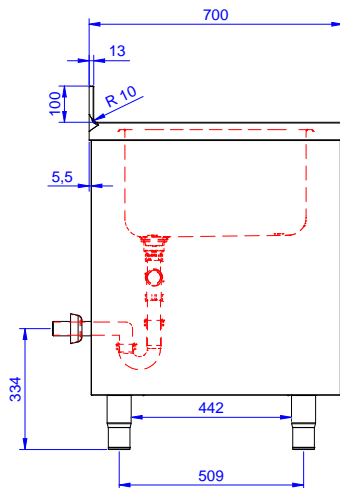
Key Information:

Cabinet width:	1145 mm
132820 (MLA1225PN)	
Cabinet depth:	645 mm
Cabinet height:	380 mm
External dimensions, Width:	1200 mm
External dimensions, Depth:	700 mm
External dimensions, Height:	1000 mm
Upstand Dimensions, Height:	100 mm
Upstand Dimensions, Depth:	13 mm
Upstand Dimensions, Radius:	R=10
Bowls number	2
Bowl dimensions	500x500xH300
Number and type of doors:	2 Sliding
Worktop thickness:	50 mm
Net weight:	55 kg

Front

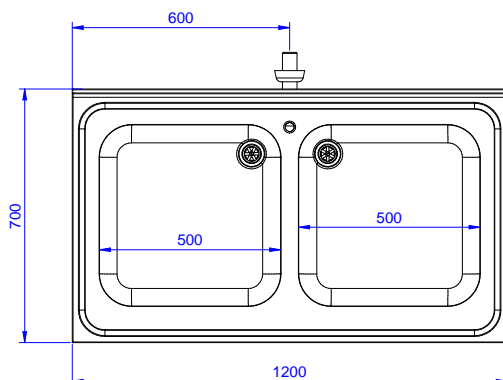


Side



D = Drain

Top



Standard Preparation 1200 mm Cupboard Sink with 2 Bowls

The company reserves the right to make modifications to the products without prior notice. All information correct at time of printing.